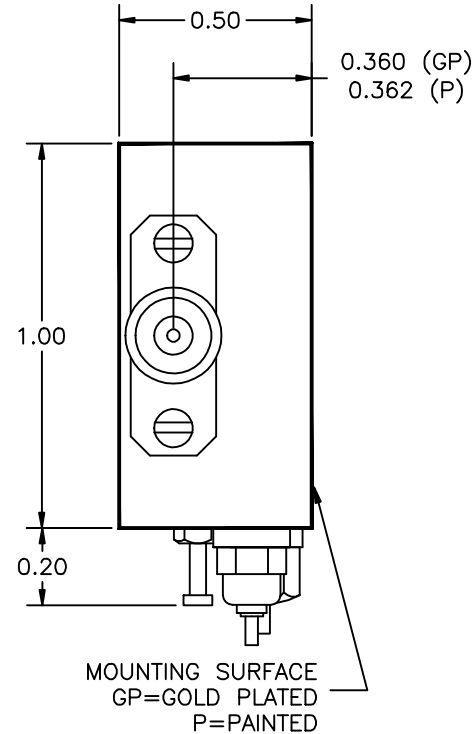
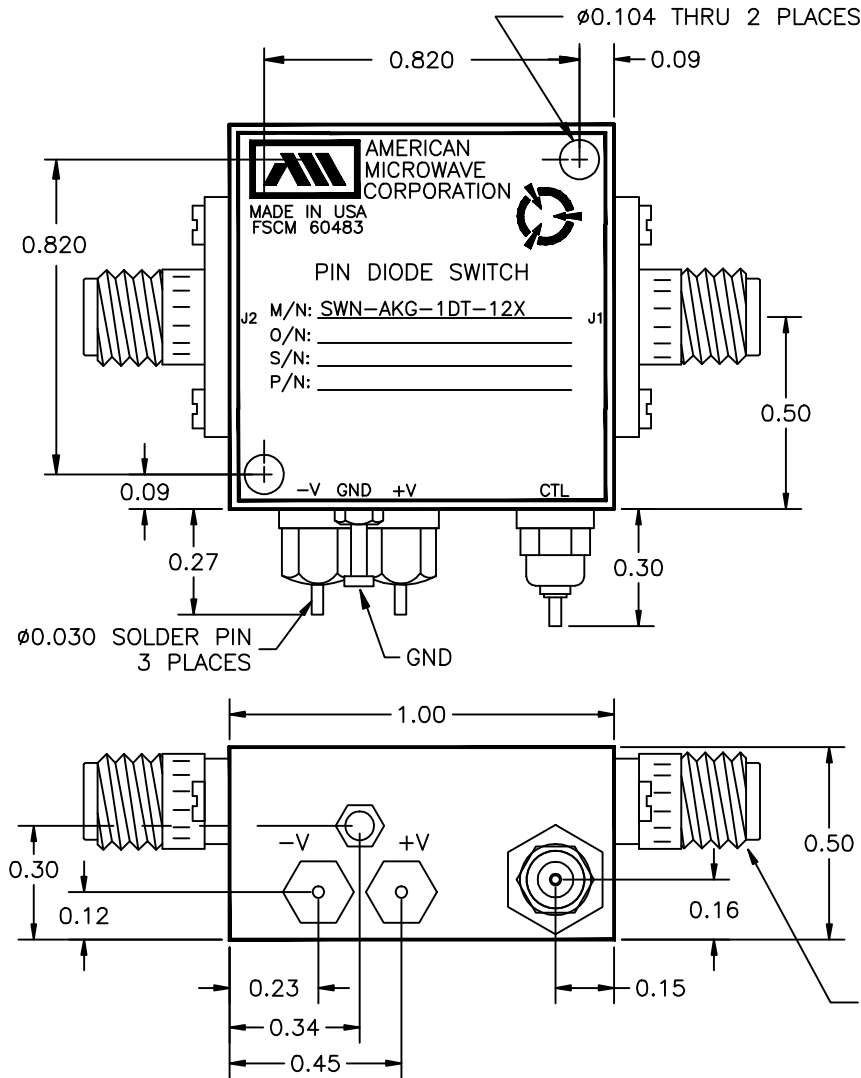


DESCRIPTION:

AMC MODEL SWN-AKG-1DT-12X IS A NON-REFLECTIVE/ABSORPTIVE SINGLE POLE SINGLE THROW SWITCH MODULE WITH ULTRA HIGH SPEED AND HIGH ISOLATION, DESIGNED FOR 500 MHz TO 18 GHz OPERATION.

REVISIONS				
ZONE	REV.	DESCRIPTION	DATE	APPROVED
	-	ORIGINAL JOB # 608156XN-1	10/26/06	



SMA FEMALE CONNECTOR 2 PLACES

AMERICAN MICROWAVE CORPORATION

7311-G GROVE ROAD
 FREDERICK, MARYLAND 21704 USA
 TEL: 301-662-4700 FAX: 301-662-4938
 WEBSITE: www.americanmicrowavecorp.com
 E-MAIL: sales@americanmicrowavecorp.com
 ISO 9001:2000 CERTIFIED



APPROVALS		DATE	TITLE		
DRAWN <i>PRB</i>		10/26/06	MECHANICAL OUTLINE DRAWING SWN-AKG-1DT-12X		
CHECKED			SIZE	FSCM NO.	DWG NO.
ISSUED			A	60483	100-7720-000
SCALE N:S			SHEET		2 OF 4

REVISIONS

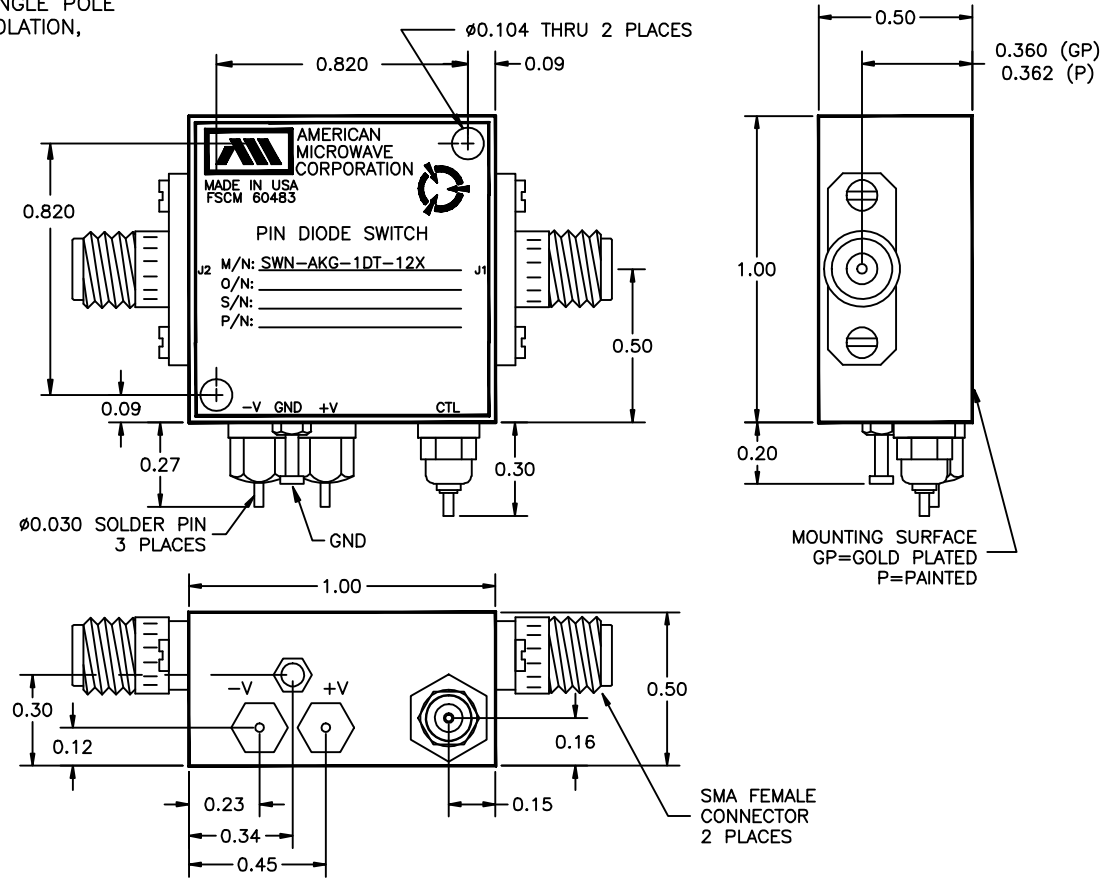
ZONE	REV.	DESCRIPTION	DATE	APPROVED
-	-	ORIGINAL JOB # 608156XN-1	10/26/06	

DESCRIPTION:

AMC MODEL SWN-AKG-1DT-12X IS A NON-REFLECTIVE/ABSORPTIVE SINGLE POLE SINGLE THROW SWITCH MODULE WITH ULTRA HIGH SPEED AND HIGH ISOLATION, DESIGNED FOR 500 MHz TO 18 GHz OPERATION.

SPECIFICATIONS:

- FREQUENCY: 500 MHz TO 18 GHz
- INSERTION LOSS: 3.5 dB MAXIMUM
- ISOLATION: 60 dB MINIMUM
- VSWR: IN/OUT, OUT OFF: 2.0:1
- SPEED: RISE: 3 nS MAXIMUM(10% RF TO 90% RF)
FALL: 3 nS MAXIMUM(90% RF TO 10% RF)
DELAY ON: 15 nS MAXIMUM(50% TTL TO 90% RF)
DELAY OFF: 15 nS MAXIMUM(50% TTL TO 10% RF)
- POWER SUPPLY: +5V @ 60 mA MAXIMUM
-5V @ 60 mA MAXIMUM
- CONTROL: TTL LOGIC "0"=ON "1"=OFF
- SIZE: 1.00" (L) x 1.00" (W) x 0.50" (H)
- WEIGHT: 1.5 OUNCE TYPICAL



AT = WITH DRIVER, NON-REFLECTIVE/ABSORPTIVE
M/N = MANUFACTURER PART NUMBER
O/N = OPTION NUMBER
S/N = SERIAL NUMBER
P/N = PART NUMBER

ENVIRONMENTAL RATINGS

- TEMPERATURE: -55°C TO +85°C (OPERATING)
-65°C TO +125°C (STORAGE)
- HUMIDITY: MIL-STD-202F, METHOD 103B COND. B
- SHOCK: MIL-STD-202F, METHOD 213B COND. B
- VIBRATION: MIL-STD-202F, METHOD 204D COND. B
- ALTITUDE: MIL-STD-202F, METHOD 105C COND. B
- TEMPERATURE CYCLE: MIL-STD-202F, METHOD 107D COND. A

ALL DIMENSIONS ARE IN INCHES
TOLERANCES:
X.XX ±0.020
X.XXX ±0.010

NOTE: THE ABOVE SPECIFICATIONS ARE SUBJECT TO CHANGE OR REVISION

AMERICAN MICROWAVE CORPORATION

7311-G GROVE ROAD
FREDERICK, MARYLAND 21704 USA
TEL: 301-662-4700 FAX: 301-662-4938
WEBSITE: www.americanmicrowavecorp.com
E-MAIL: sales@americanmicrowavecorp.com
ISO 9001:2000 CERTIFIED



APPROVALS		DATE	TITLE		REV.
DRAWN <i>PRB</i>		10/26/06	PRODUCT FEATURE SWN-AKG-1DT-12X		-
CHECKED			SIZE	FSCM NO.	DWG NO.
ISSUED			A	60483	100-7720-000
			SCALE	N:S	SHEET 1 OF 4

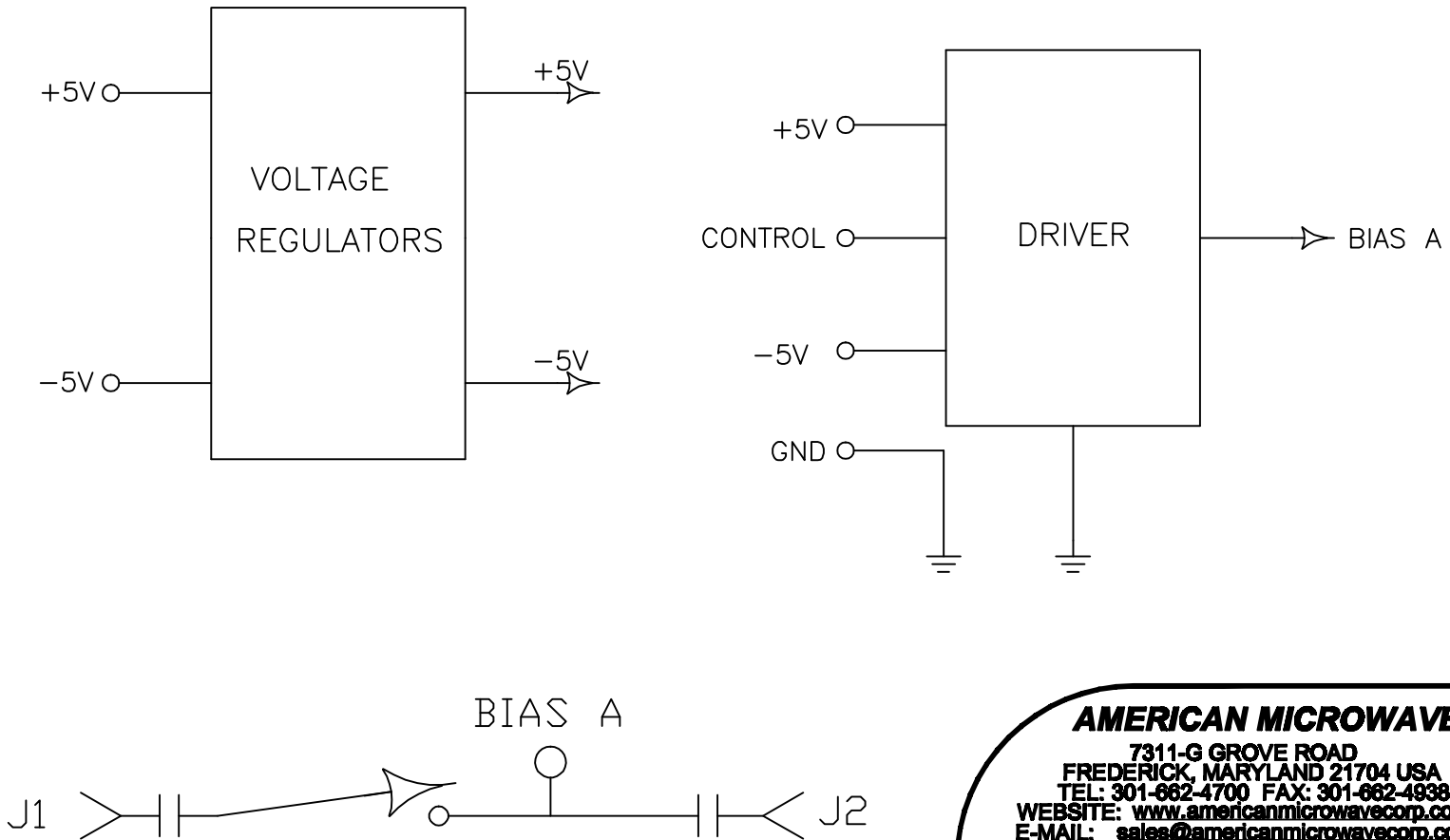
REVISIONS

ZONE	REV.	DESCRIPTION	DATE	APPROVED
	-	ORIGINAL JOB # 608156XN-1	10/26/06	

DESCRIPTION:

AMC MODEL SWN-AKG-1DT-12X IS A NON-REFLECTIVE/ABSORPTIVE SINGLE POLE SINGLE THROW SWITCH MODULE WITH ULTRA HIGH SPEED AND HIGH ISOLATION, DESIGNED FOR 500 MHz TO 18 GHz OPERATION.

FUNCTIONAL BLOCK DIAGRAM



AMERICAN MICROWAVE CORPORATION

7311-G GROVE ROAD
 FREDERICK, MARYLAND 21704 USA
 TEL: 301-662-4700 FAX: 301-662-4938
 WEBSITE: www.americanmicrowavecorp.com
 E-MAIL: sales@americanmicrowavecorp.com
 ISO 9001:2000 CERTIFIED



APPROVALS		DATE	TITLE		
DRAWN <i>PRB</i>		10/26/06	FUNCTIONAL BLOCK DIAGRAM SWN-AKG-1DT-12X		
CHECKED			SIZE A	FSCM NO. 60483	DWG NO. 100-7720-000
ISSUED			SCALE N:S		REV. -
					SHEET 3 OF 4